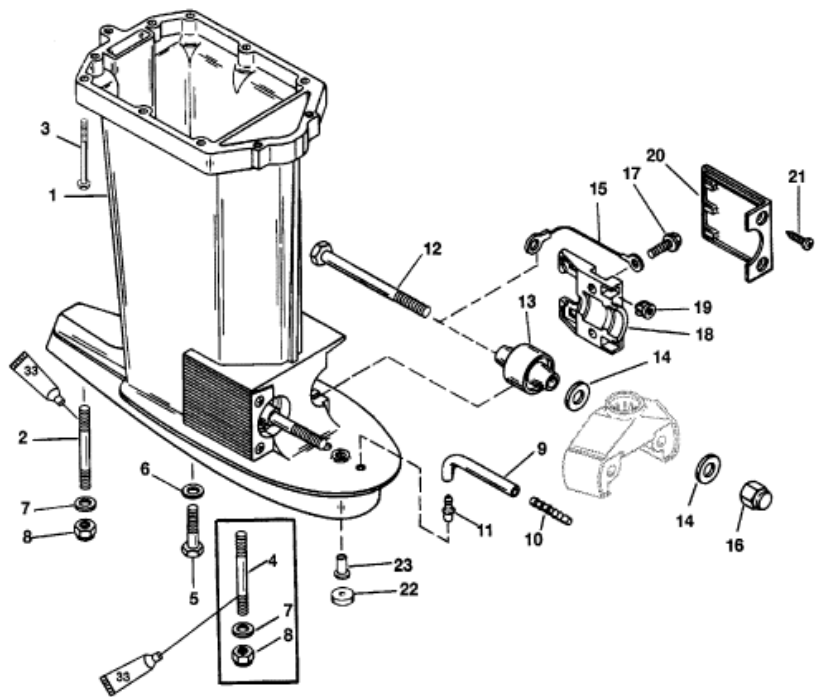


Parts List						
Ref	Class	Part	Description	Qty	Comment	Footnote
1	3516	816528A	1 DRIVE SHAFT HOUSING	1	(BLACK) SHORT	
1	3516	816528A	2 DRIVE SHAFT HOUSING	1	(GRAY) SHORT	
1	3510	9864A	6 DRIVE SHAFT HOUSING	1	(BLACK) LONG	
1	3510	9864A	7 DRIVE SHAFT HOUSING	1	(GRAY) LONG	
1	3516	816528A	3 DRIVE SHAFT HOUSING	1	(BLACK - JET 45)	
1	3516	816528A	4 DRIVE SHAFT HOUSING	1	(GRAY - JET 45)	
2	16	90350	7 STUD (M10 X 60)	1	(SHORT/LONG)	
2	16	90350	1 STUD (M10 X 100)	1	(60 BIG FOOT - LONG)	
2	16	816866	4 STUD (M10 X 166)	1	(60 BIG FOOT - LL)	
3	10	817430110	SCREW (M10 X 110)	6		
4	16	816866	3 STUD (M10 X 124)	4	(60 BIGFOOT LL)	
4	16	816866	1 STUD (M10 X 120)	5	(55 LL)	
5	10	40003	80 SCREW	4	(SHORT/LONG)(NON JET MODE	
6	12	856774	WASHER	4	NON BIGFOOT MODELS	
7	12	856774	WASHER	1	NON BIGFOOT MODELS	
8	11	13914	NUT	1	NON BIGFOOT MODELS	
6	12	856774	WASHER	4	BIGFOOT MODELS	
7	12	856774	WASHER	5	BIGFOOT MODELS	
8	11	13914	NUT	5	BIGFOOT MODELS	
9	22	85822A	7 SPEEDOMETER PICK-UP ASSEM	1		
10	22	85822	CONNECTOR (STRAIGHT)	1		
11	22	13035	FITTING	1		
12	10	42973	BOLT (M12 X 154)	2		
13		42930A	1 LOWER MOUNT	2		
14	12	20959	WASHER	4		
15		88238A10	GROUND WIRE	1		
16	11	43528	NUT	2		
17	10	40011149	SCREW (M8 X 25)	4		
18		93192	CLAMP	2		
19	11	35521	NUT	4		
20		67077T	COVER	2	(BLACK)	
20		67077F	COVER	2	(GRAY)	
21	10	88417	SCREW	4		
22	23	813745	SPACER	1		
22	23	813745	1 SPACER	1	(LL)	
23		43585	COUPLING	1		



Loctite "680" (Obtain Locally)